

# 1-125 Quarter-Turn with Combination Lock Pr20.1 L18

Hand operable with combination lock, IP65, Optional pre-assembly

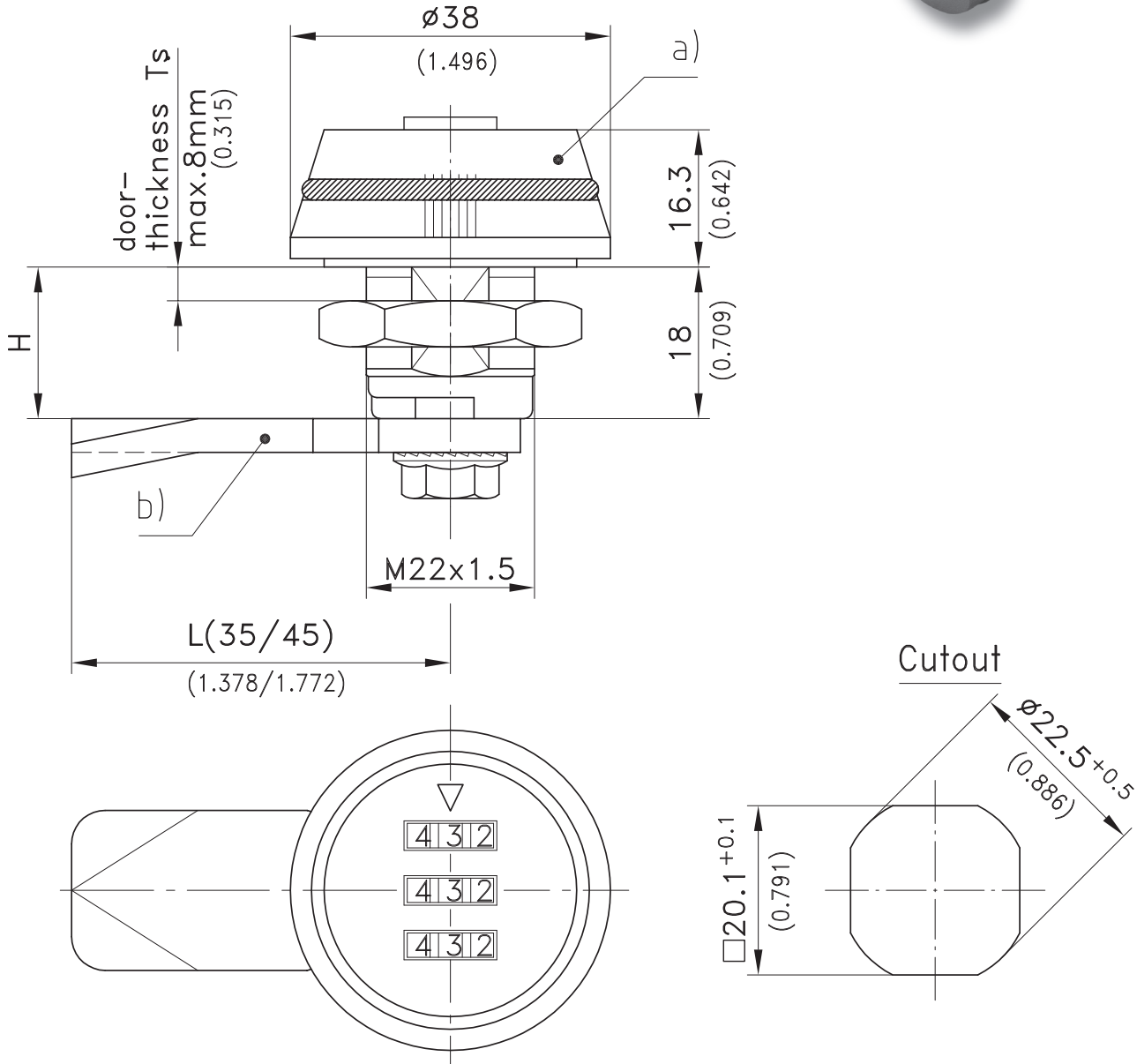


## Product Notes:

- RH and LH application
- Pre-assembled Quarter-Turn can be installed in cutout
- O-ring on handle improves grip
- Water and dust tight according to IP65, DIN EN 60529
- Product shipped with instructions to set and reset combination  
Combination can be reset only in closed position

## Material:

- **Handle and housing:** Zinc Die, Chrome Plated or black
- **Cam:** Steel, Zinc Plated
- **O-Ring:** Perbunan



	Zinc Die Chrome Plated	Zinc Die Black	See Page
a) Quarter-Turn (without cam)	100-9301	100-9302	
b) Cams			01.101
c) Assembling cam 90° to handle without O-ring	200-0019	200-0019	
Assembling cam for left door	200-0020	200-0020	